



GRIDDLE GAS - CHAR BROILER

RADIANT

GRIDDLE GAS CHAR BROILER RADIANT



"Anvil's Radiant Griddle, provides a simple and effective way to prepare food with that delicious restaurant flavor in an economical, safe and hassle-free way."

APPLICATION

- IDEAL FOR USE IN STEAK HOUSES, RESTAURANTS, COFFEE SHOPS, CLUBS AND PUBS
- REGULATOR SUPPLIED WITH UNIT
- AVAILABLE IN VARIOUS SIZES

CONSTRUCTION

- WELDED STAINLESS AND ALUMINIZED STEEL CONSTRUCTION
- GAS KITS ARE INCLUDED FOR FIELD CONVERSIONS
- HEAVY DUTY BRASS VALVES
- 3/4NPT GAS INLET

HEATING

- EXTENDED BURNERS ALLOW FOR BETTER HEAT DISTRIBUTION AND FAST RECOVERY

Anvil reserves the right, without notice, to make changes and revisions to product specifications, materials and design, which in our opinion, will provide better performance, durability and efficiency.



ALL ANVIL EQUIPMENT COMES WITH A ONE YEAR WARRANTY ON COMPONENTS AND DEFECTIVE WORKMANSHIP

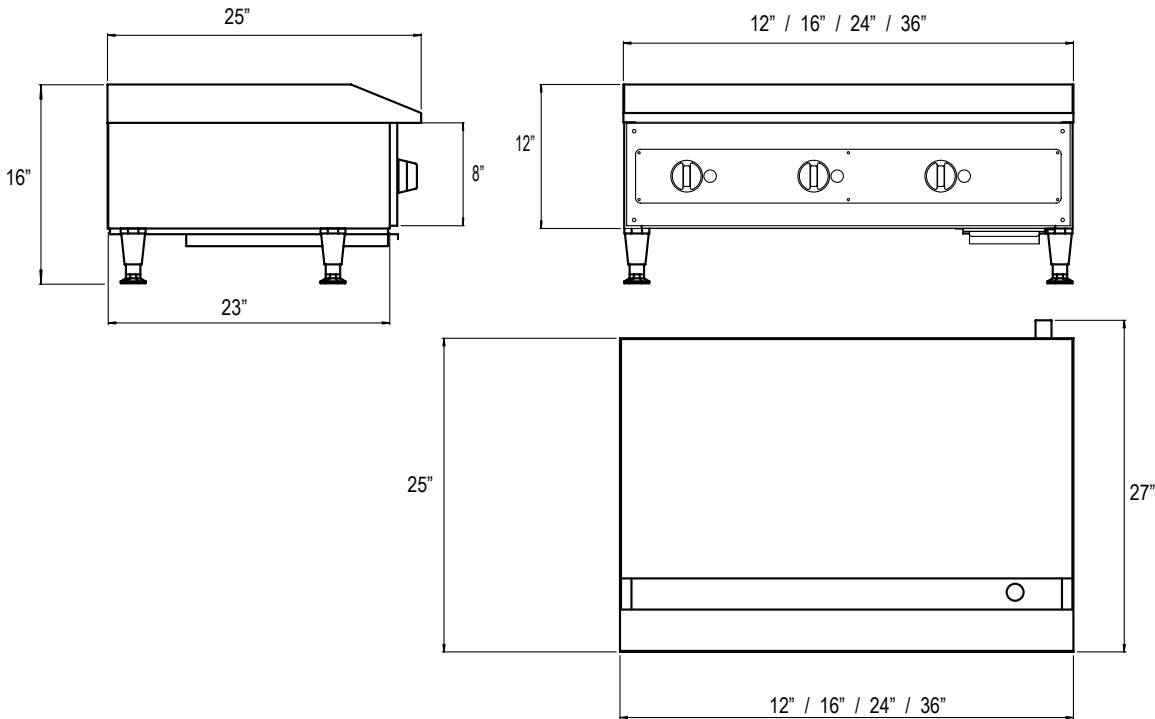


NOTE:

When viewing the appliance from the front in its usual operating position, the width (W) of the product is the total distance from left to right ; the depth (D) of the product is the total distance from front to back ; the height (H) is the total distance from the bottom of the product to the top

**GRIDDLE GAS
CHAR BROILER
RADIANT**

MODELS:
 CBR9012
 CBR9016
 CBR9024
 CBR9036



DESCRIPTION	GRIDDLE 12"	GRIDDLE 16"	GRIDDLE 24"	GRIDDLE 36"
MODELS	CBR9012	CBR9016	CBR9024	CBR9036
GAS	Natural / LP	Natural / LP	Natural / LP	Natural / LP
OUTPUT: (BTU)	28000	28000	56000	84000
DIMENSIONS (in) (W x D x H)	12 x 16 x 27	16 x 16 x 27	24 x 16 x 27	36 x 16 x 27
BOX DIMNS (in) (W x D x H)	14 x 20 x 29	20 x 20 x 29	26 x 20 x 29	38 x 20 x 29
PACKED WEIGHT (lbs)	118lbs.	132lbs.	158lbs.	264lbs.

Note: • Output performance figures quoted are dependant on various factors.
 • Gas pressure regulator is supplied, and must be installed.
 • For use in non-combustible locations only.

Website: www.anvilworld.com

