

# JETRAY

# JT 20 TWO FLAVOR SERIES



## FEATURES

- Visual display dispensing system creates impulse sales
- Interchangeable three and five gallon bowls (11 and 19 liter) can mix and match to meet variable product demand
- JWT 200 series give you a choice of one or two in-bowl whippers are available on the JWT 200 to serve a variety of whipped and non-carbonated beverages
- Unique pinch tube system dispenses all types of beverages, including those with heavy pulp
- No downtime. Any one bowl can be removed and sanitized while the other operates
- Easy cleaning and maintenance.
- Backed by a worldwide service network



VISUAL DISPLAY DISPENSER



# JT 20 TWO FLAVOR SERIES

## SPECIFICATIONS

### DESCRIPTION

Model	JT 20	JT20-W25 / JT20-W26 (Export)	JWT 202	JWT202-W25 (Export)
Volts	115V 60 Hz	220/240V 50/60 Hz	115V 60 Hz	220/240V 50 Hz
Watts	645	645	1035	1035
Amps	5.6	2.9	9.5	4.7

### DISPENSER DIMENSIONS

	w/large bowls	w/small bowls
Height	26 <sup>5</sup> / <sub>8</sub> " (68 cm)	23 <sup>5</sup> / <sub>8</sub> " (60 cm)
Width	16" (41 cm)	16" (41 cm)
Depth	17" (43 cm)	17" (43 cm)

### CABINETRY

White plastic and stainless steel

### BEVERAGE BOWL & COVER

Transparent, virtually unbreakable LEXAN® resin, with U.S. gallon and liter markings

### BEVERAGE CAPACITY

Large.....Approx 10 U.S. gallons (38.0 liters)  
Small.....Approx 6 U.S. gallons (22.8 liters)

### REFRIGERATION

Jet Spray 1/5 H.P. hermetically sealed system R134a

### PACKAGING

Packed in 3 cartons, 1 for base and 2 for bowls

NET WEIGHT	JT SERIES	JWT SERIES
	52 lbs. (23.6 kg)	58 lbs. (26.4 kg)

SHIPPING WEIGHT	JT SERIES	JWT SERIES
	62 lbs. (28.2 kg)	68 lbs. (30.9 kg)

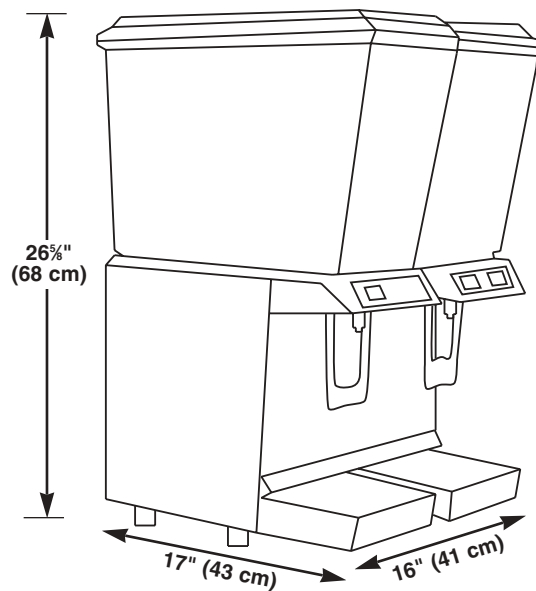
### AGENCY LISTINGS



### ACCESSORIES



- Circulator adds flexibility for products not suited for spraying. Replace spray system with easy-to-insert device.
- "Non-cup contact" push handle replaces the standard handle to meet all hygiene and sanitary requirements.
- 4" (10.2 cm) Extension legs available where required.
- Locking device prevents unauthorized use of dispenser when unattended.



For more information or to place an order, contact your sales representative or authorized distributor.

©1999 IMI Cornelius

### IMI CORNELIUS FOODSERVICE GROUP

One Cornelius Place  
Anoka, MN 55303-6234  
Tel: 1-888-248-5568 / 1-630-539-5050  
Fax 1-800-344-3801 / 1-630-539-6960